



RX180 | RX240 | RX280 HARDMOUNT WASHER-EXTRACTORS



CASCADE DRUM TECHNOLOGY
Extra mechanical action thanks to its cascading shape of the surface



HIGH CAPACITY WATER INLETS
For shorter wash cycles



EXTRA LARGE DOOR OPENING
For easy loading and unloading



IMPROVED DURABILITY
for your peace of mind with a 3-year warranty

FEATURES & BENEFITS

Features

- Rigid mounted, normal spin, 100G factor
- Stainless steel drum and tub
- Patented soap hopper
- Easy access to all vital parts from the front
- Large door opening for easy loading & unloading
- High capacity water inlets (RX280)
- Large drain valve (Ø 76 mm)

Options

- 200G factor execution
- Coin operated
- Stainless steel front and side panels
- Liquid soap connection and pumps
- Steam heating version
- ECO version: Lower kW rating on request
- 3rd water inlet
- High capacity water inlets (RX180, RX240)

Control

- XControl – fully programmable control with 20 Pre-set programs and memory up to 99.
- XTronic – Programmable control with 6 programs (+2 cycle modifiers and Imbalance detection)

SPECIFICATIONS

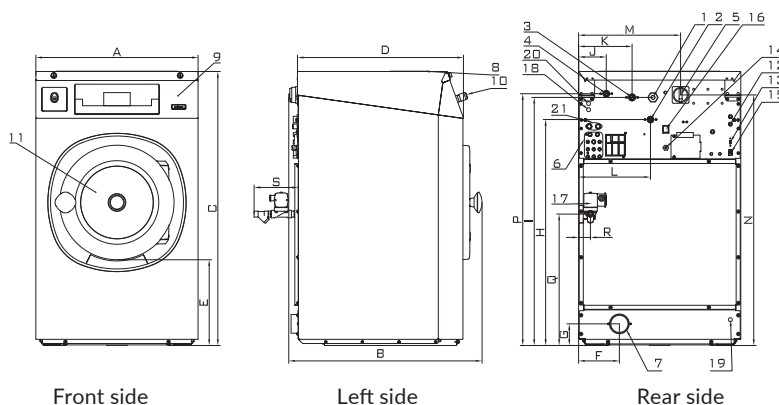
| TYPE | | RX180 | RX240 | RX280 |
|------------------------------|------------|----------------------|----------------------|----------------------|
| INNERDRUM | | | | |
| Capacity 1:09 | kg (lb) | 20(44) | 27(60) | 31(68) |
| Capacity 1:10 | kg (lb) | 18(40) | 24(53) | 28(62) |
| Volume | litres | 180 | 240 | 280 |
| Diameter | mm | 750 | 750 | 750 |
| DRUM SPEED | | | | |
| Wash | rpm | 42 | 42 | 42 |
| Extraction | rpm | 490 (690)* | 490 (690)* | 490 (690)* |
| G-FACTOR | | 100 standard 200* | 100 standard 200* | 100 standard 200* |
| HEATING | | | | |
| Electricity | kW | 12 - 18 | 18 | 21,9 |
| Steam | bar | 1-8 | 1-8 | 1-8 |
| Hot water | °C | 90 | 90 | 90 |
| Sound pressure level | dB (A) | < 65 | < 65 | < 65 |
| Water valves connection | BSP | 3/4" | 3/4" | 3/4" |
| Water pressure | kPa | 100-800 | 100-800 | 100-800 |
| Rec. water pressure | kPa | 300-500 | 300-500 | 300-500 |
| Water inlet | l/min | 20 | 20 | 20 |
| Drain valve | outer Ø mm | 76 | 76 | 76 |
| Flow amount with drain valve | l/min | 210 | 210 | 210 |
| Steam valve connection | BSP | 1/2" | 1/2" | 1/2" |
| Steam pressure | kPa | 100-800 | 100-800 | 100-800 |
| DIMENSIONS | | | | |
| Size H*W*D | mm | 1410×890×915 | 1410×890×1060 | 1410×890×1135 |
| Net weight | kg | 255 (315)* | 275 (330)* | 290 (355)* |
| TRANSPORT DATA | | | | |
| Packed H*W*D | mm | 1550×925×970 | 1550×925×1130 | 1550×925×1190 |
| Gross weight | kg | 270 (335)* | 290 (355)* | 305 (385)* |

* 200 G-factor execution

DIMENSIONS

| | A | B | C | D | E | F | G | H | I | J | K | L | M | N | P | Q | R | S |
|-------|-----|------|------|------|-----|-----|-----|------|------|-----|-----|-----|-----|------|------|-----|----|-----|
| RX180 | 890 | 915 | 1410 | 815 | 465 | 280 | 130 | 1212 | 1297 | 113 | 218 | 303 | 625 | 1270 | 1317 | 528 | 54 | 120 |
| RX240 | 890 | 1060 | 1410 | 960 | 465 | 280 | 130 | 1212 | 1297 | 113 | 218 | 303 | 625 | 1270 | 1317 | 528 | 54 | 120 |
| RX280 | 890 | 1135 | 1410 | 1035 | 465 | 280 | 130 | 1212 | 1297 | 113 | 218 | 303 | 625 | 1270 | 1317 | 528 | 54 | 120 |

width depth height



- | | | |
|--------------------------|---------------------------|--|
| 1. Electrical connection | 6. Liquid soap connection | 11. Door opening (Ø 460mm) |
| 2. Hot water | 7. Drain | 12. Fuses |
| 3. Cold water hard | 8. Soap dispenser | 13. USB port |
| 4. Cold water soft | 9. Control panel | 14. Electrical connection to liquid soap pumps |
| 5. Main switch | 10. Button CENTRALSTOP | |