



I30 CHEST HEATED IRONERS



COMPACT DESIGN
Longer roller length on the same footprint



EASY OPERATION
Increased feeding space and easy-to-use button control



GREAT IRONING WIDTH
Higher output values even with smaller roll diameters

FEATURES & BENEFITS

Features

- Compact design with bigger space for comfortable feeding of linen
- Microprocessor button control – simple, clear and easy to use
- Variable speed and chest pressure to ensure top ironing quality
- Standard finger guard protection – for increased safety
- When unattended, the ironer shuts off automatically
- Controlled temperature regulation offering better temperature distribution and reduced energy consumption
- Long-life heating elements
- Anodised extruded aluminium profile avoiding temperature drop
- Backside of the heated chest is insulated with ceramic wool
- Reduced number of mechanical and moving parts for a lower maintenance cost
- All vital components are easily accessible
- Start/stop pedal for simple and smooth operation

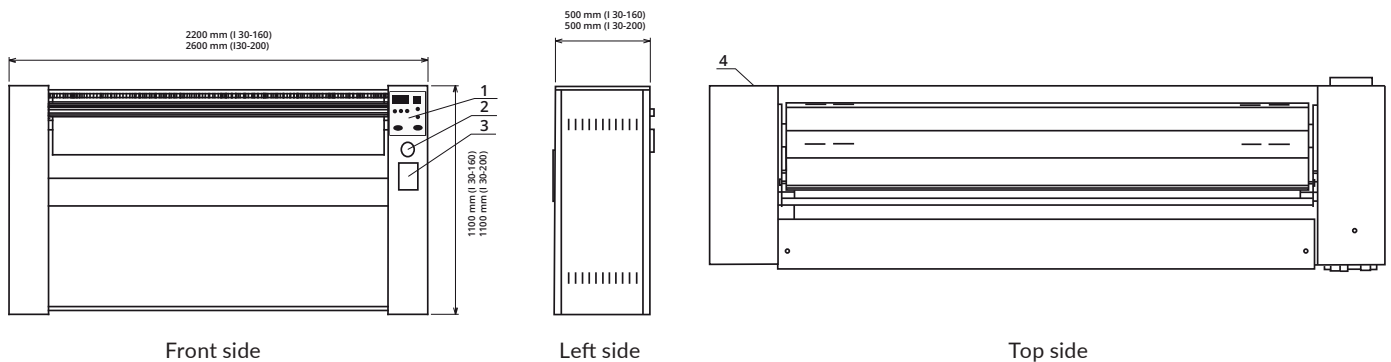
Options

- Frequency inverter enabling variable ironing speed
- Fan exhaust removing humid air from the ironer

SPECIFICATIONS

TYPE		I30-160	I30-160 AV**	I30-200 AV**
ROLLER DIMENSIONS				
Length	mm	1600	1600	2000
Diameter	mm	290	290	290
Capacity	kg/h	32-50	32-50	52-79
Relative humidity	%	20-25	20-25	40-45
Variable Speed	m/min	3,9	2-4	2-4
VOLTAGE/Hz/Phase circuit breaker				
230V/50Hz/3	A	40 A	40 A	50 A
230V/60Hz/3	A	40 A	40 A	50 A
400V/50Hz/3	A	25 A	25 A	32 A
400V/60Hz/3	A	25 A	25 A	32 A
440V/60Hz/3	A	25 A	25 A	32 A
480V/60Hz/3	A	16 A	16 A	25 A
Heating Power	kW	13,2	13,2	16,8
Auxiliary (including Motor) rated input	kW	0,48	0,67	0,67
Total electric input	kW	13,68	13,87	17,47
Exhaust diameter	mm	60	60	60
DIMENSIONS				
Height	mm	1100	1100	1100
Width	mm	2200	2200	2600
Depth	mm	500	500	500
Net weight	kg	262	262	294
TRANSPORT DATA				
Height	mm	1260	1260	1260
Width	mm	2280	2280	2690
Depth	mm	590	590	590
Gross weight	kg	300	300	350

**Option AV = Variable Speed, Adjustable Temperature, & Suction Fan



1. Control panel
2. Emergency stop button

3. Manual roller drive
4. Main switch and power supply